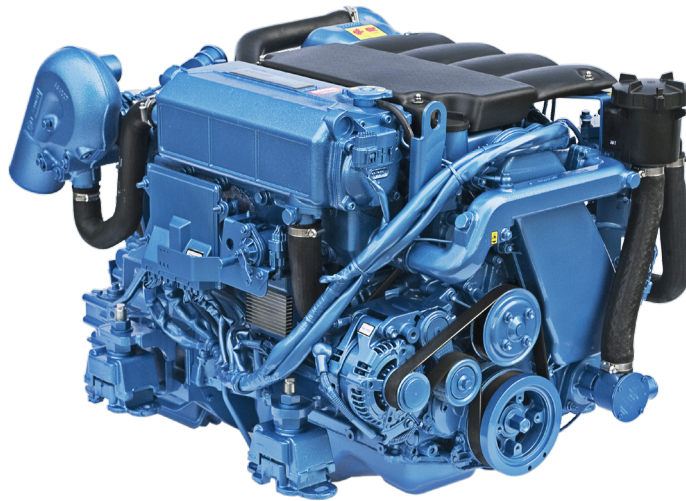


T4.175 (SOLAS)

SPECIFICATIONS



Power at crankshaft	129.5 kW [176 hp]	Engine base	Toyota
Displacement	2.982 l [182 in ³]	Fuel system	Direct injection High pressure Common Rail Electronically controlled
Configuration	4 cylinders in line	Air intake	Turbocharged with intercooler
Operation type	4 strokes Diesel	Cooling	Closed cooling with heat exchanger
Bore & Stroke	96 x 103 mm [3.78 x 4.06 in]	Max mounting angle	7° Front down 7° Front up
Compression ratio	15 : 1	Alternator	12 Volt 130 Amp
Rated speed	2800 rpm	Rating	M5
Idling speed	700 rpm	Emission compliance	none
Peak torque	501 Nm	Engine dry weight	350 kg [771.6 lbs]
Peak torque speed	2000 rpm	Engine dry weight with TTM40A	390 kg [859.8 lbs]

T4.175

129.5 kW [176 hp] at 2800 rpm

TECHNICAL DESCRIPTION

ENGINE BLOCK

- 4 cylinders in line
- 4 valves per cylinder
- Dual overhead camshaft (DOHC)
- Water-cooled exhaust manifold
- Internal balancers

FUEL SYSTEM

- Common Rail injection system
- Fuel filter with hand primer
- Integrated fuel cooler

LUBRICATION SYSTEM

- Replaceable full-flow oil filter
- Oil dipstick
- Transmission oil cooler

COOLING SYSTEM

- Closed cooling with heat exchanger
- Gear driven self-priming raw water pump
- Coolant circulating pump
- Water cooled exhaust elbow

ELECTRICAL SYSTEM & INSTRUMENTATION

- 12 V / 130 A alternator
- 12 V Electrical system
- Si4 Panel
- Extension cable harness with plug-in connection

AIR INTAKE

- Dry turbocharger
- Inter-cooler

OTHER FEATURES

- Flexible engine mountings

OPTIONAL EQUIPMENTS & ACCESSORIES

- Complete marine propulsion systems
- Marine transmission adaptation kits
- Throttle and shift controls
- Additional instrumentation, Flying bridge extension harness
- Water boiler systems
- Complete fuel systems
- Complete exhaust systems
- Trolling valve

RATINGS

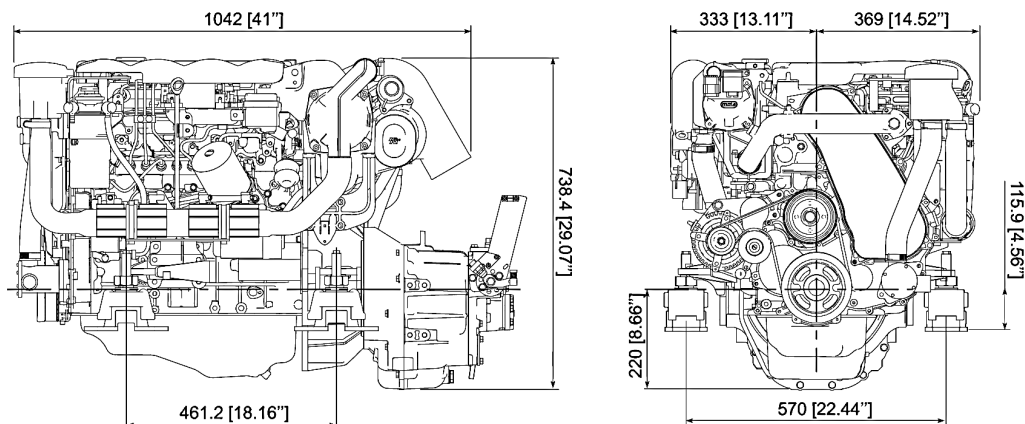
- Up to 500 annual operating hours
- Load factor up to full load
- Full power for no more than 6 hours out of 8 hours of operation. The remaining operation time must be at or below cruising speed.

TRANSMISSIONS

SHAFT LINE

- TTM40A
- TTM50A
- ZF45A
- ZF45-1
- ZF68A

DIMENSIONS WITH TRANSMISSION TTM50A



NANNI INDUSTRIES S.A.S.

11, Avenue Mariotte - Zone Industrielle
33260 La Teste - France
Tel: +33 (0)5 56 22 30 60
Fax: +33 (0)5 56 22 30 79

Technical data according to ISO 8665. This document is not contractual. Nanni reserves the right to modify any of the characteristics stated in this document without notice, in a constant effort to improve the quality of its products. Images and illustrations may show non standard equipments. All combination of equipment & accessory are not available.
DGBXXC01067