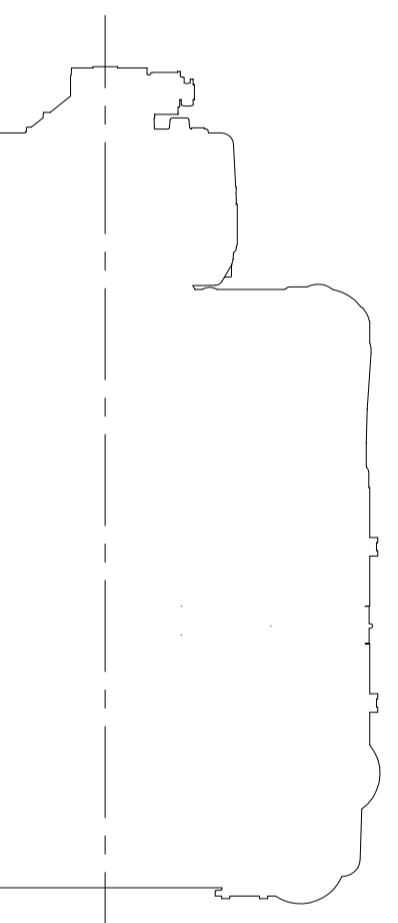
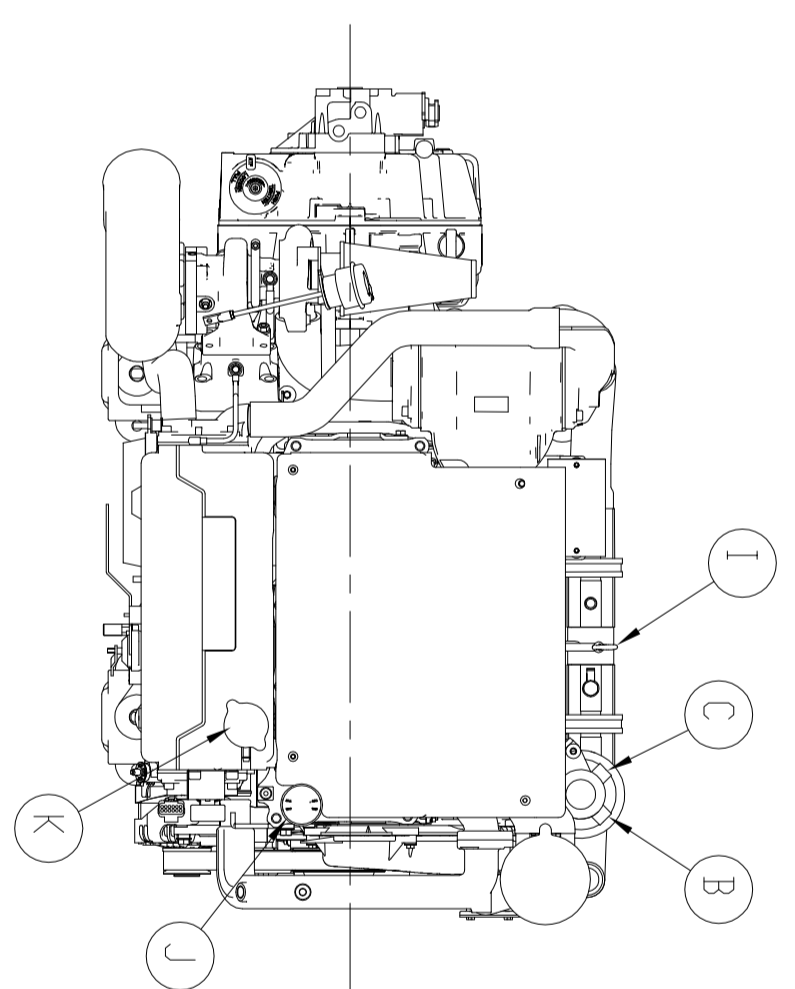
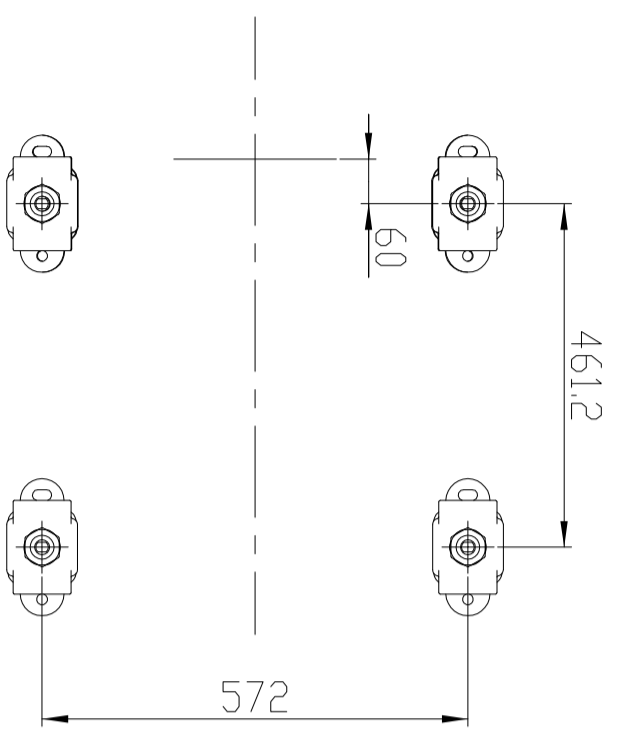
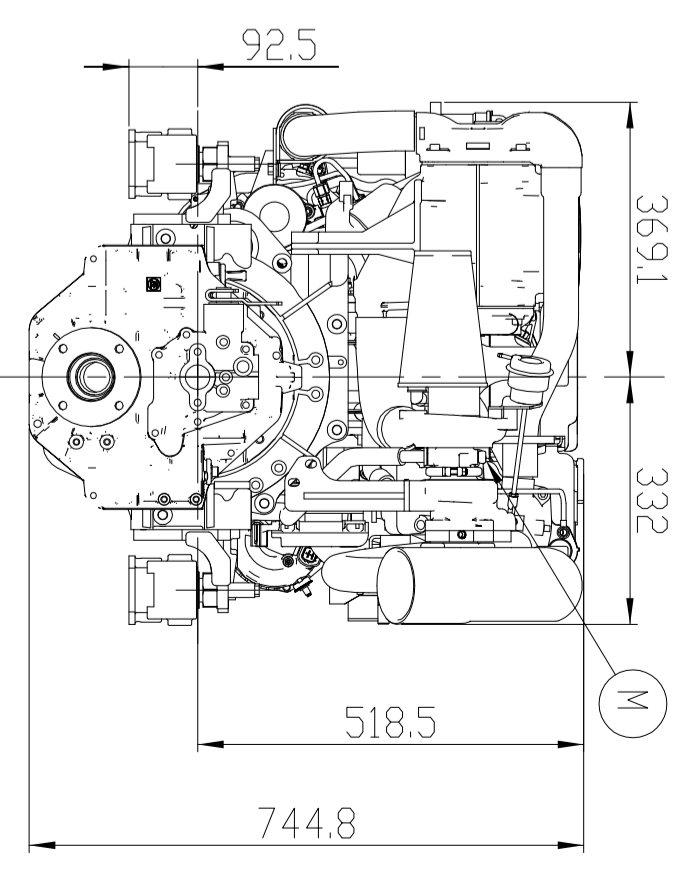
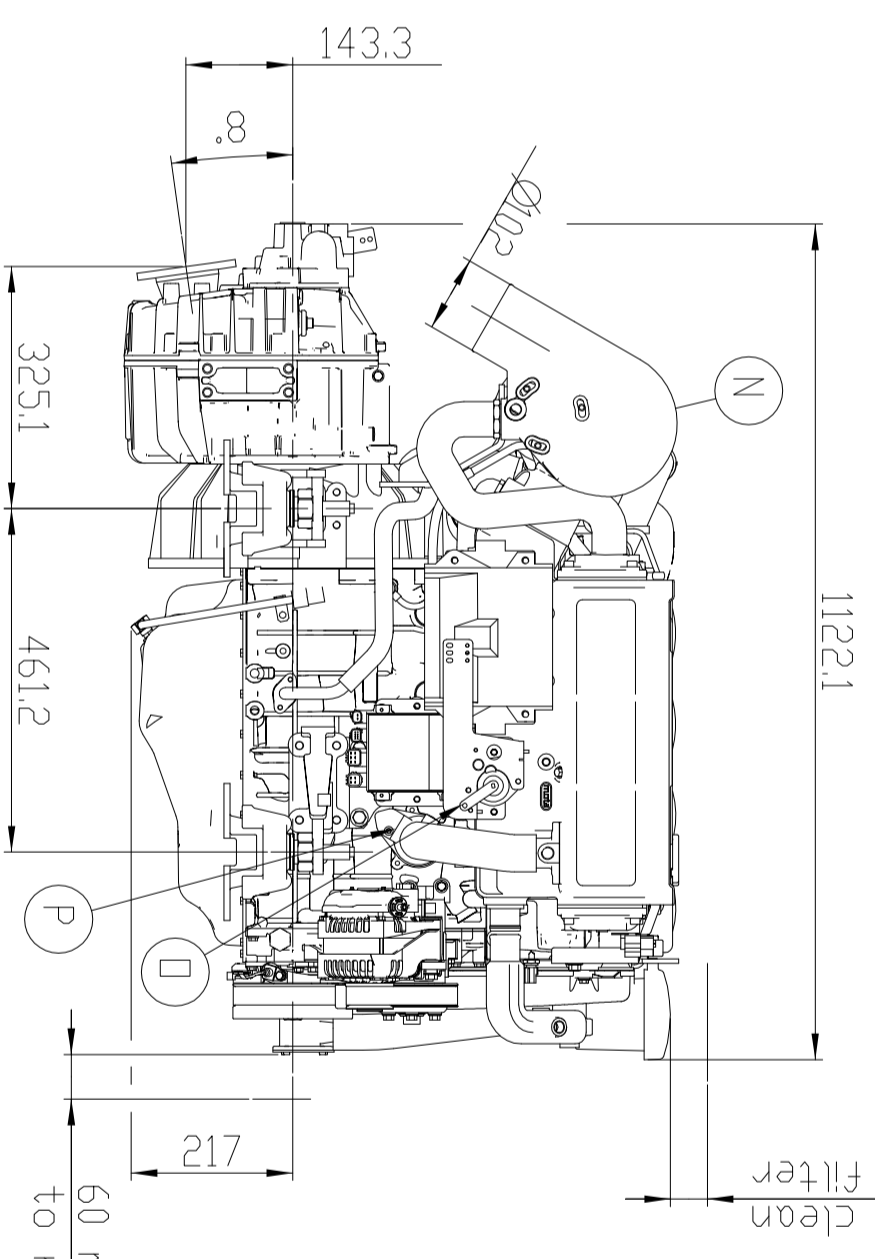
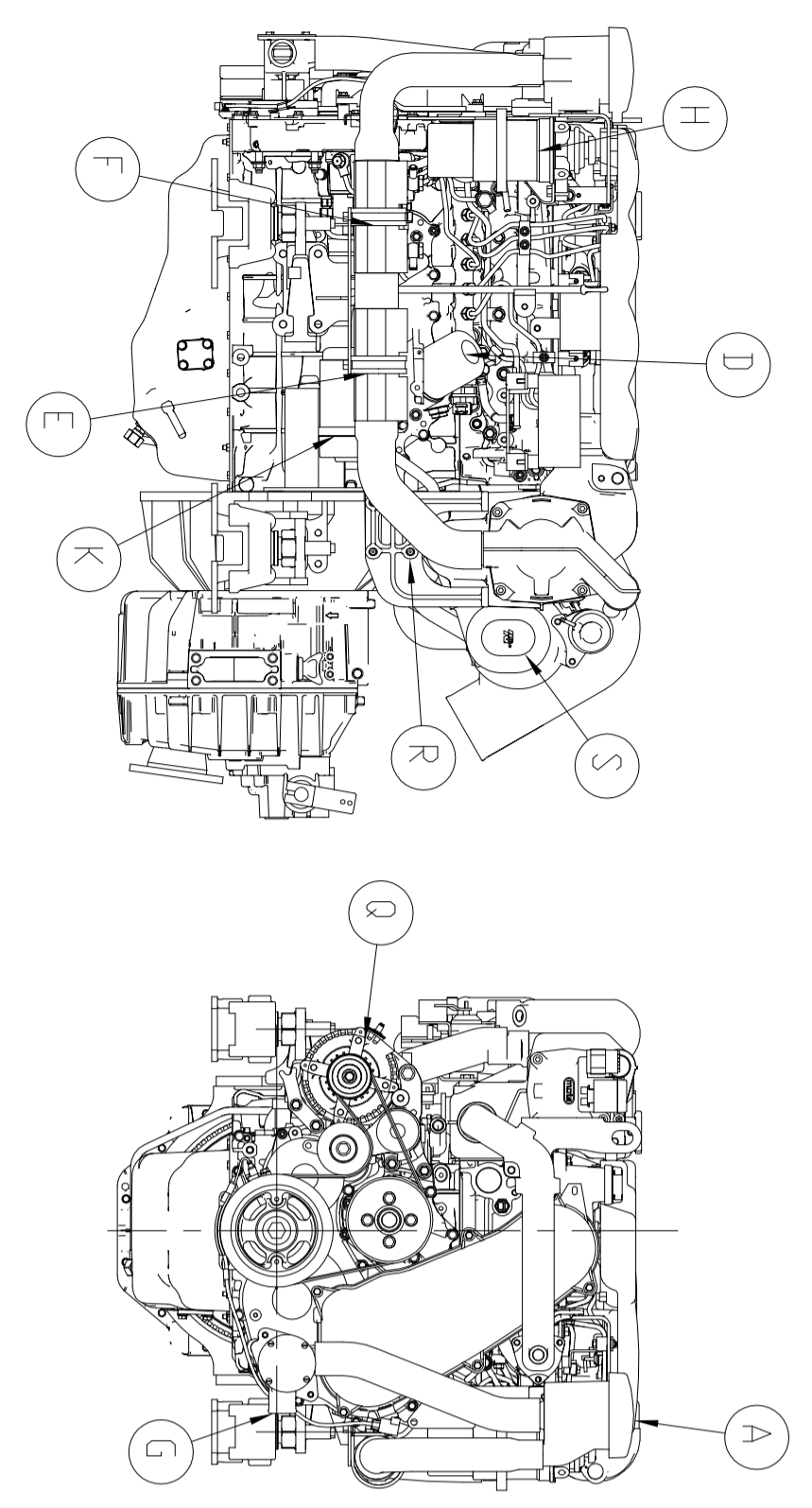
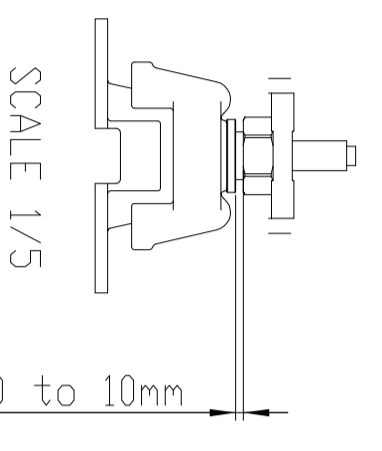


Index	Edition	Modification	Date	Approuvé par
-	-	-	-	-



1000mm mini between twin engines mounting

Flexible mounting installation



SCALE 1/5

From 0 to 10mm

A	SEA WATER FILTER
B	FUEL INLET CONNECTION Ø10mm
C	FUEL OUTLET CONNECTION Ø10mm
D	DIL FILTER
E	ENGINE OIL COOLER
F	GAZOLE COOLER
G	RAW WATER INLET Ø38MM
H	FUEL FILTER
I	DIL DIP STICK
J	DIL FILLER CAP
K	COOLANT FILLER CAP
L	ENGINE STARTER
M	DIL DRAIN
N	WATER COOLED EXHAUST
D	THRUSTLE LEVER
P	THERMOSTAT
Q	ALTERNATOR
R	CONNECTION TO EXTENSION HARNESS
S	AIR FILTER

**NANNI INDUSTRIES**  
 pr 107 ZI Av. NG-P&A 32860 LA TESTE  
 Tel: (33)05 56 22 30 40 Fax: (33)05 56 22 30 79  
 Ce document est la propriété de la NANNI Industries SA. Duplication interdite. tous droits réservés / This document is NANNI Industries SA property. Duplication forbidden. All rights reserved.

Dessiné par NC	Contrôle par GU	Echelle : 1/10	Format : A2	Date : 11/04/2013
plan encombrement T4.265 ZF63A			N° Dessin MKD-240	Ind. Ed 1