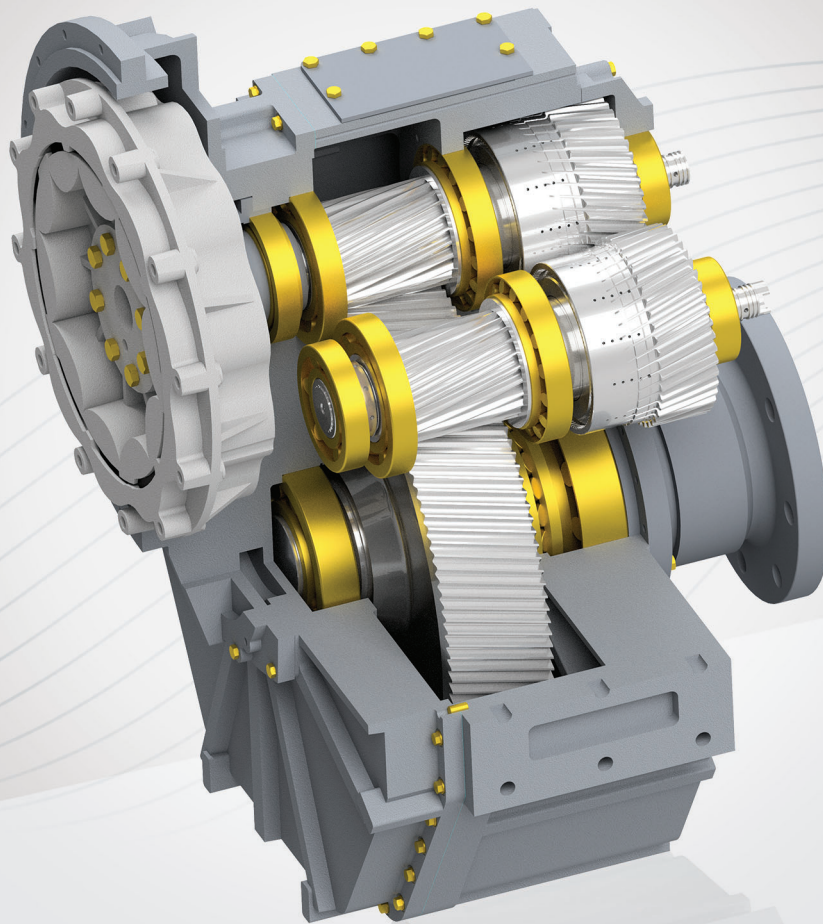


The best choice for continuous duty vessels

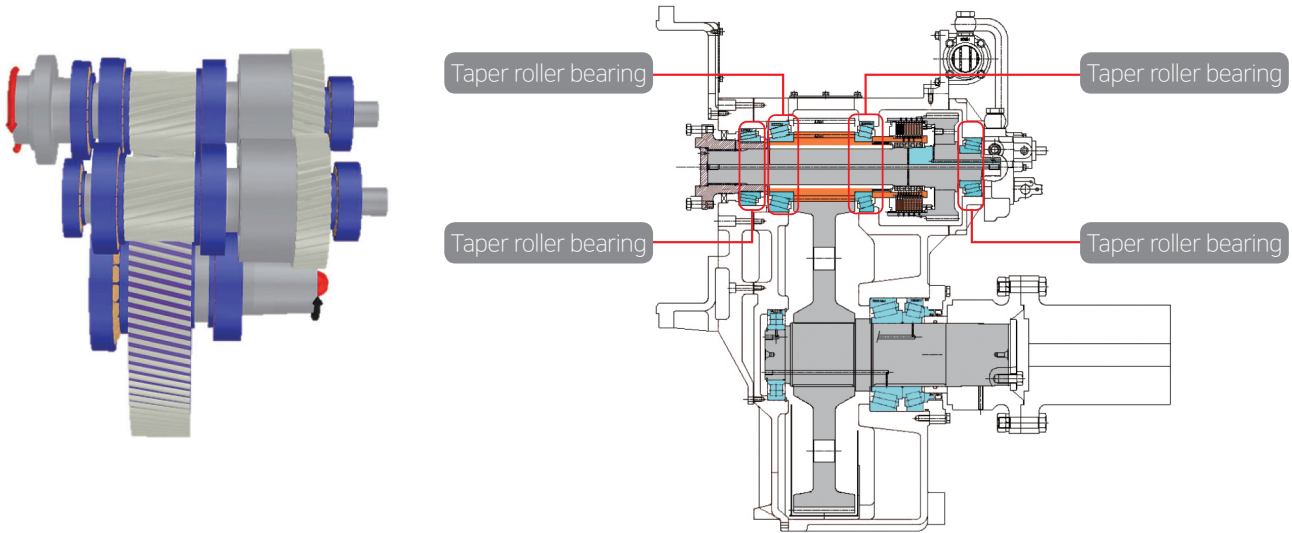
# DL/BL Marine Transmission

4 thrust bearings supporting drive shaft.  
Minimizing the variations on the power train at any moment



# Structure & Features

Additional 2 thrust bearings assembled to the drive gear itself keep always correct gear contact areas restraining shaft bending and enduring thrust power even in extraordinary cases of overloaded.



## DL /BL Model Features

- Designed in accordance with DNV GL certification rule.
- Applying the core technology tolerating severe working conditions.
- Highly elastic coupling of Centa applied.
- Easy maintenance structure.
- Compact & light weight.

MODEL	RATIO	MAX INPUT TORQUE(kgf.m)	CAPACITY/RPM		1800RPM		STANDARD BELL HOUSING (SAE)
			kW	HP	kW	HP	
DMT330DL	3.56	298	0.305	0.410	550	738	0, 1
	4.13	292	0.300	0.402	539	723	
	4.59	286	0.293	0.394	529	710	
DMT450DL	3.02, 3.28, 3.56, 4.07	453	0.465	0.623	837	1123	0, 1
	4.48	409	0.420	0.563	756	1013	
	4.95	374	0.383	0.514	690	926	
DMT600DL	3.02, 3.28, 3.56, 4.07	625	0.641	0.860	1155	1549	0
	4.48	591	0.606	0.814	1092	1465	
	4.95	541	0.555	0.745	1001	1342	
DMT600BL	4.12, 4.48	625	0.642	0.860	1155	1548	0
	5.11	587	0.603	0.809	1086	1456	
	5.62	545	0.560	0.750	1008	1350	
	5.91	499	0.513	0.687	923	1236	