

Intermittent rating kW(HP) / rpm	Max. torque N.m(kg.m) / rpm	After-treatment
45.0(60.4) / 2600	225(22.9) / 1800	DOC+DPF
41.0(55.0) / 2500 41.0(55.0) / 2200	190(19.4) / 1600	
36.7(49.2) / 2500	180(18.4) / 1600	
31.3(42.0) / 2200	155(15.8) / 1600	
24.6(33.0) / 2200	110(11.2) / 1600	

**CERTIFIED
STAGE V**



◆ General Engine Data

• Engine Model	DM01V
• Engine Type	In-line 3 cycle Diesel, water cooled, Turbo-intercooler
• Combustion type	Direct injection
• Cylinder type	Linerless
• Number of cylinders	3
• Bore x Stroke	90 x 94 mm
• Displacement	1.794 liter
• Compression ratio	17.0 : 1
• Firing order	1 - 2 - 3
• Dry weight	238 kg (with after-treatment) 270 kg (with powerpack)
• Dimension (LxWxH)	728 × 574 × 730 mm (with DOC+DPF)
• Rotation	Counter clockwise viewed from Flywheel
• Flywheel housing	refer to Option book for Standard engine
• Flywheel	Clutch 10" (SAE J620)
• Number of teeth	104

◆ Engineering Data

• Water flow	100 liters/min @2,400 rpm (55HP)
• Heat rejection	
- to coolant	6.7 kcal/sec @2,400 rpm (55HP)
- to CAC	1.7 kcal/sec @2,400 rpm (55HP)
• Air flow	3,050 liter/min @2,600 rpm (61HP) 2,690 liter/min @2,400 rpm (55HP) 2,520 liter/min @2,200 rpm (49HP)
• Exhaust gas temp	750 °C ↓ @2,800 rpm
• Max. permission restrictions	
- Intake system	3.0 kPa clean filter 6.5 kPa dirty filter
- Exhaust system	15 kPa max.

◆ Valve System

• Type	Over head valve
• Number of valve	Intake 2, exhaust 2 per cylinder
• Valve lashes at cold	
- Intake valve	0 (Maintenance free with HLA)
- Exhaust valve	0 (Maintenance free with HLA)

◆ Fuel System

• Injection pump	Bosch Common-rail Pump
• Governor	Controlled by ECU
• Feed pump	Mechanical Transfer Pump
• Injection nozzle	Multi hole type
• Fuel filter	Full flow, cartridge type
• Used fuel	Diesel fuel oil

◆ Lubrication System

• Lub. Method	Fully forced pressure feed type
• Oil pump	Gear type driven by crankshaft
• Oil filter	Full flow, cartridge type
• Oil pan capacity	High level 6.3 liters Low level 2.8 liters
• Angularity limit	35 deg all around
• Lubrication oil	10W30/40 (API CK-4 / ACEA E6) (Refer to Operation Manual for Detail by Ambient condition)
• Maximum oil temp	135°C at main oil gallery
• Lub oil pressure	Idle Speed : Min 100 kPa

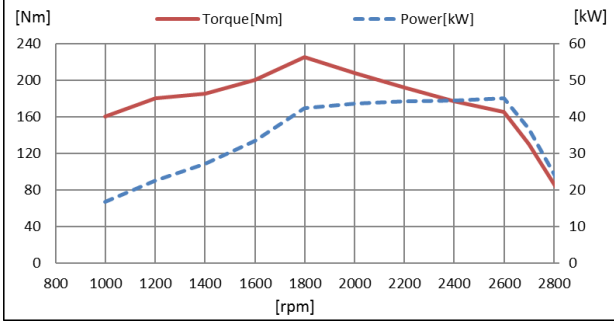
◆ Cooling System

• Cooling method	Fresh water forced circulation
• Water capacity	3.1 liters (engine only)
• Water pump	Centrifugal type driven by belt
• Thermostat	Wax – pellet type Opening temp. 82°C Full open temp. 97°C
• Cooling fan	Suction/Blower type, Ø420 (optional)
• Water temperature	110°C (max.)

◆ Electrical System

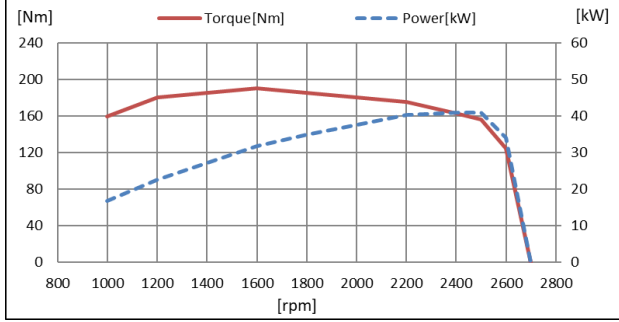
• Battery Charging Alternator	12V x 110A / 12V x 140A
• Voltage regulator	Built-in type IC regulator
• Starting motor	12V x 2.5kW
• Battery voltage	12V
• Battery capacity	100 Ah, 750CCA (recommended)
• Starting Aid	Glow plug

45.0kW (60.4HP) @2600



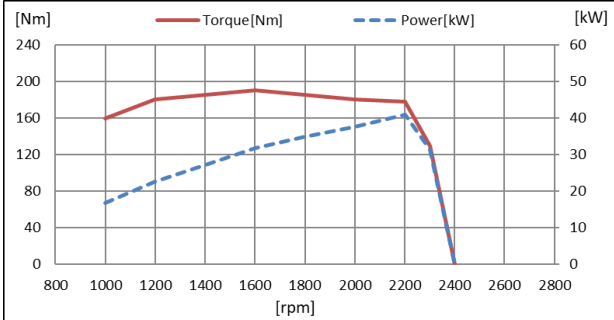
speed	Power			Torque	
	kW	PS	HP	Nm	kgm
1000	16.8	22.8	22.5	160.0	16.3
1200	22.6	30.8	30.3	180.0	18.4
1400	27.1	36.9	36.4	185.0	18.9
1600	33.5	45.6	44.9	200.0	20.4
1800	42.4	57.7	56.9	225.0	22.9
2000	43.6	59.2	58.4	208.0	21.2
2200	44.2	60.1	59.3	192.0	19.6
2400	44.5	60.5	59.7	177.0	18.0
2600	45.0	61.2	60.4	165.3	16.9
2700	36.8	50.0	49.3	130.0	13.3

41.0kW (55.0HP) @2500



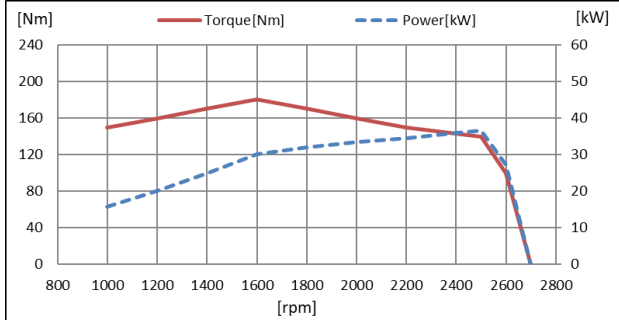
speed	Power			Torque	
	kW	PS	HP	Nm	kgm
1000	16.8	22.8	22.5	160.0	16.3
1200	22.6	30.8	30.3	180.0	18.4
1400	27.1	36.9	36.4	185.0	18.9
1600	31.8	43.3	42.7	190.0	19.4
1800	34.9	47.4	46.8	185.0	18.9
2000	37.7	51.3	50.6	180.0	18.4
2200	40.3	54.8	54.1	175.0	17.8
2400	41.0	55.7	54.9	163.0	16.6
2500	41.0	55.7	55.0	156.6	16.0
2600	34.0	46.3	45.6	125.0	12.7

41.0kW (55.0HP) @2200



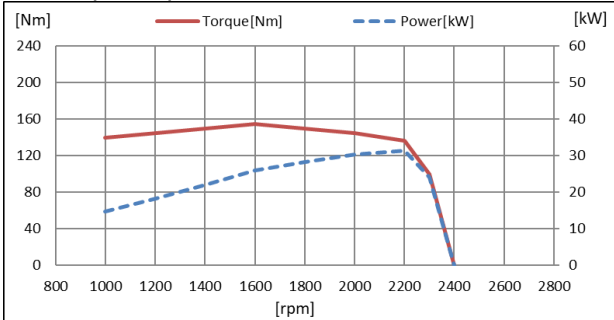
speed	Power			Torque	
	kW	PS	HP	Nm	kgm
1000	16.8	22.8	22.5	160.0	16.3
1200	22.6	30.8	30.3	180.0	18.4
1400	27.1	36.9	36.4	185.0	18.9
1600	31.8	43.3	42.7	190.0	19.4
1800	34.9	47.4	46.8	185.0	18.9
2000	37.7	51.3	50.6	180.0	18.4
2200	41.0	55.8	55.0	178.0	18.2
2300	31.3	42.6	42.0	130.0	13.3

36.7kW (49.2HP) @2500



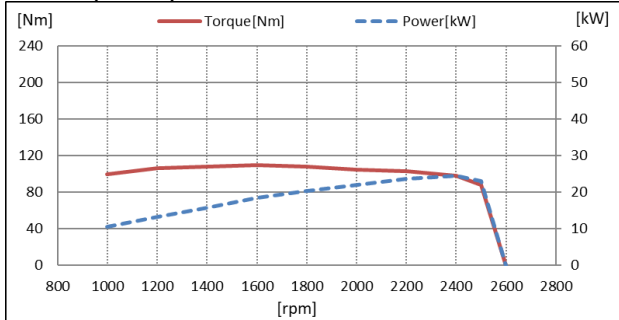
speed	Power			Torque	
	kW	PS	HP	Nm	kgm
1000	15.7	21.4	21.1	150.0	15.3
1200	20.1	27.3	27.0	160.0	16.3
1400	24.9	33.9	33.4	170.0	17.3
1600	30.2	41.0	40.4	180.0	18.4
1800	32.0	43.6	43.0	170.0	17.3
2000	33.5	45.6	44.9	160.0	16.3
2200	34.6	47.0	46.3	150.0	15.3
2400	35.9	48.9	48.2	143.0	14.6
2500	36.7	49.8	49.2	140.0	14.3
2600	27.2	37.0	36.5	100.0	10.2

31.3kW (42.0HP) @2200



speed	Power			Torque	
	kW	PS	HP	Nm	kgm
1000	14.7	19.9	19.7	140.0	14.3
1200	18.2	24.8	24.4	145.0	14.8
1400	22.0	29.9	29.5	150.0	15.3
1600	26.0	35.3	34.8	155.0	15.8
1800	28.3	38.4	37.9	150.0	15.3
2000	30.4	41.3	40.7	145.0	14.8
2200	31.3	42.6	42.0	136.0	13.9
2300	24.1	32.7	32.3	100.0	10.2

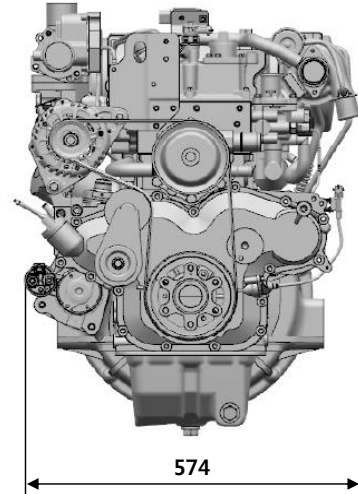
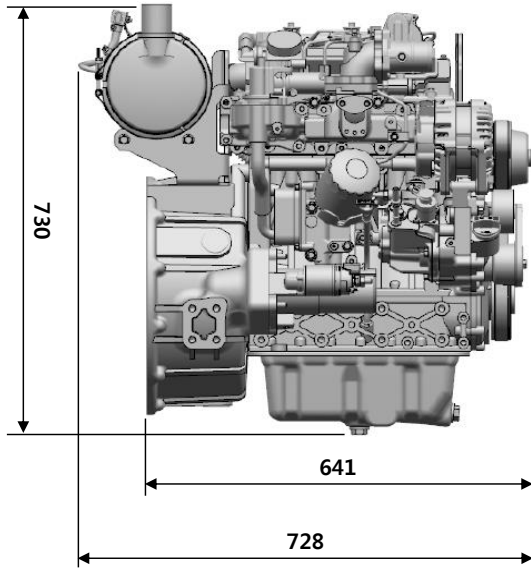
24.6kW (33.0HP) @2200



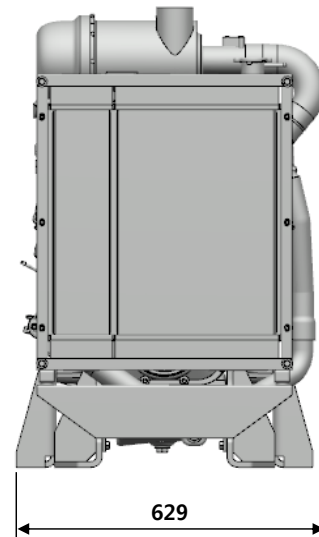
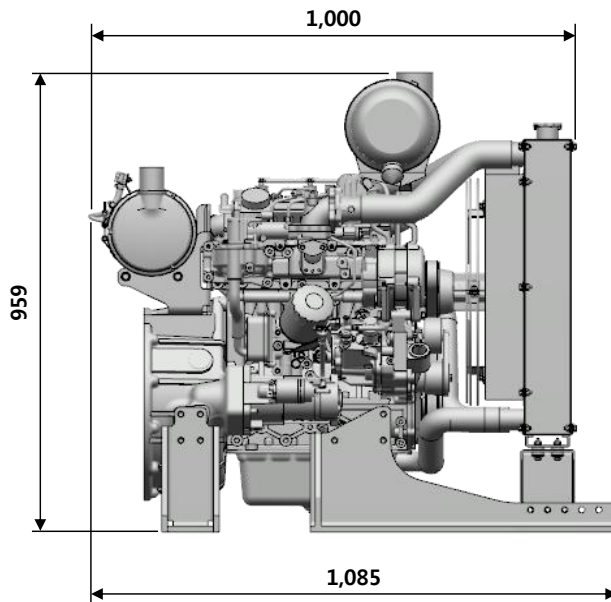
speed	Power			Torque	
	kW	PS	HP	Nm	kgm
1000	10.5	14.2	14.0	100.0	10.2
1200	13.3	18.1	17.9	106.0	10.8
1400	15.8	21.5	21.2	108.0	11.0
1600	18.4	25.1	24.7	110.0	11.2
1800	20.4	27.7	27.3	108.0	11.0
2000	22.0	29.9	29.5	105.0	10.7
2200	23.7	32.3	31.8	103.0	10.5
2400	24.6	33.5	33.0	97.9	10.0
2500	23.1	31.4	31.0	88.2	9.0

◆ Engine Dimension

- Dimension (L×W×H) 728 × 574 × 730 mm (with after-treatment)



- Dimension (L×W×H) 1,000 × 629 × 959 mm (with powerpack)



◆ Conversion Table

in. = mm x 0.0394	hp = PS x 0.98635	kW = 0.2388 kcal/s
PS = kW x 1.3596	lb = kg x 2.20462	lb/PS.h = g/kW.h x 0.00162
psi = kg/cm ² x 14.2233	lb/ft = N.m x 0.737	cfm = m ³ /min x 35.336
in ³ = lit. x 61.02	U.S. gal = lit. x 0.264	

Doosan Infracore Co., Ltd.

28th Floor, Doosan Tower, 275, Jangchungdan-ro, Jung-gu, Seoul, Republic of Korea (04563)

Tel : +82 2 3398 8893 / Fax : +82 2 3398 8898

E-mail : enginesales@doosan.com

Website : www.doosaninfracore.com

※Specifications are subject to change without prior notice.