



Intermittent rating kW(HP) / rpm	Max. torque N.m(kg.m) / rpm	After-treatment
55.4(74.3) / 2600	360(36.7) / 1400	DOC+DPF

**CERTIFIED
STAGE V**



◆ General Engine Data

• Engine Type	In-line, 4-cycle
• Number of Cylinders	4
• Displacement	3.409 liter
• Bore x Stroke	98 x 113 mm
• Compression Ratio	18.0 : 1
• Firing Order	1 - 3 - 4 - 2
• Aspiration	Turbocharged and air-to-air aftercooled
• Combustion System	Direct injection
• Rotation	Counter clockwise viewed from Flywheel
• Clutch	SAE#3 - 11/5" / SAE#4 - 10"
• Dry weight	426 kg (with after-treatment) 526 kg (with powerpack)
• Front PTO	100% Engine torque available at 2300 rpm
• Side PTO (1st / 2nd)	Continuous 130Nm / 200Nm (SAE A)
• Valve System Type	Over head valve
• Number of Valves	Intake 2, exhaust 2 per cylinder Hydraulic Valve Lash Adjust

◆ Electrical System

• Alternator	12V x 110A / 12V x 140A / 24V 80A
• Voltage Regulator	Built-in type IC regulator
• Starting Motor	12V x 2.5kW / 24V x 5.0kW
• Battery Voltage	12V / 24V
• Battery Capacity	100 Ah, 750CCA (recommended)
• Starting Aid	Glow plug

◆ Fuel System

• Injection pump	Bosch Common-rail Pump
• Governor	Controlled by ECU
• Fuel filter	Full flow, car Full flow, cartridge type
• Used fuel	Ultra-Low Sulfur Diesel fuel only
• Diesel consumption (g/kWh)	228 @2,600 rpm, 209 @1,400 rpm

◆ Engineering Data

• Water flow	140 liters/min @2,600 rpm
• Heat Rejection	
- to coolant	12.7 kcal/sec @2,600 rpm
- to CAC	1.4 kcal/sec @2,600 rpm
• Air flow	7,680 liter/min @2,600 rpm
• Exhaust gas temp	750 °C ↓ @2,600 rpm
• Maximum Permission Restrictions	
- Intake system	3.0 kPa clean filter 6.5 kPa dirty filter
- Exhaust system	27 kPa max.
(Please see an Installation Guide for the detail information.)	

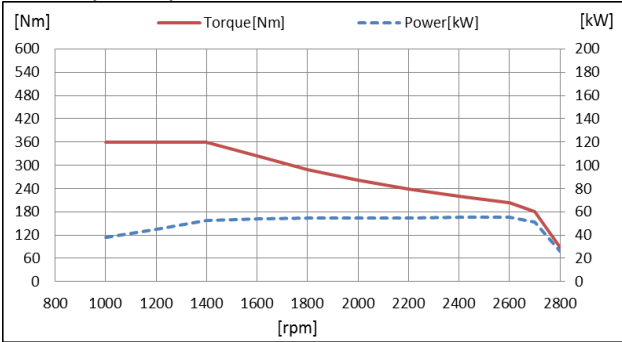
◆ Cooling System

• Cooling method	Fresh water forced circulation
• Water capacity	4.7 liter (engine only) 12.1 liter (with powerpack)
• Water pump	Centrifugal type driven by belt
• Cooling fan	Suction/Blower type, Ø460 (optional)
• Water temperature	110°C (max.)

◆ Lubrication System

• Oil filter	Full flow, cartridge type
• Oil pan capacity	High level 12.6 liters Low level 6.0 liters
• Angularity limit	35 deg all around
• Lubrication oil	10W30/40 (API CK-4 / ACEA E6)
• Maximum oil temp	135°C at main oil gallery
• Lub oil pressure	Idle Speed : Min 100 kPa

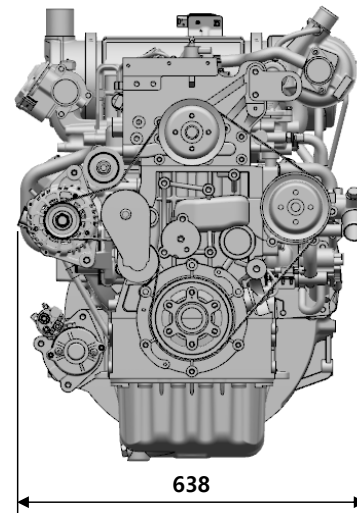
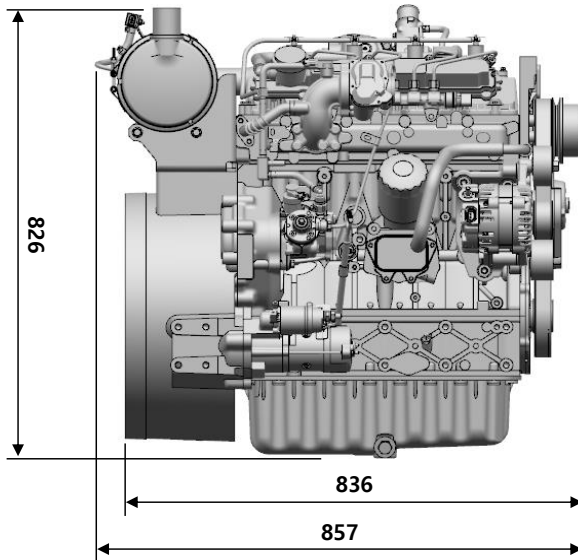
55.4kW (74.3HP) @2600



speed	Power			Torque	
	kW	PS	HP	Nm	kgm
800	30.2	41.0	40.4	360.0	36.7
1000	37.7	51.3	50.6	360.0	36.7
1200	45.2	61.5	60.7	360.0	36.7
1400	52.8	71.8	70.8	360.0	36.7
1600	54.1	73.6	72.6	323.0	33.0
1800	54.5	74.1	73.1	289.3	29.5
2000	54.7	74.3	73.3	261.0	26.6
2200	54.8	74.5	73.5	238.0	24.3
2400	55.3	75.2	74.1	220.0	22.4
2600	55.4	75.3	74.3	203.5	20.8
2700	50.9	69.2	68.2	180.0	18.4
2800	26.4	35.9	35.4	90.0	9.2

◆ Engine Dimension

- Dimension (L×W×H) 857 × 638 × 826 mm (74HP)



◆ Conversion Table

in. = mm x 0.0394	hp = PS x 0.98635	kW = 0.2388 kcal/s
PS = kW x 1.3596	lb = kg x 2.20462	lb/PS.h = g/kW.h x 0.00162
psi = kg/cm ² x 14.2233	lb/ft = N.m x 0.737	cfm = m ³ /min x 35.336
in ³ = lit. x 61.02	U.S. gal = lit. x 0.264	

Doosan Infracore Co., Ltd.

28th Floor, Doosan Tower, 275, Jangchungdan-ro, Jung-gu, Seoul, Republic of Korea (04563)

Tel : +82 2 3398 8893 / Fax : +82 2 3398 8898

E-mail : enginesales@doosan.com

Website : www.doosaninfracore.com

※Specifications are subject to change without prior notice.

Powered by
Innovation