

HYUNDAI DX05

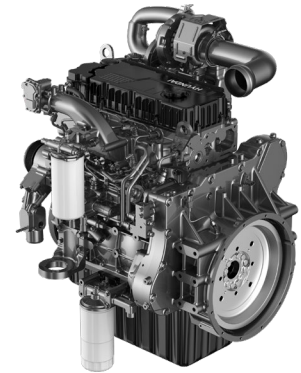


INDUSTRIAL



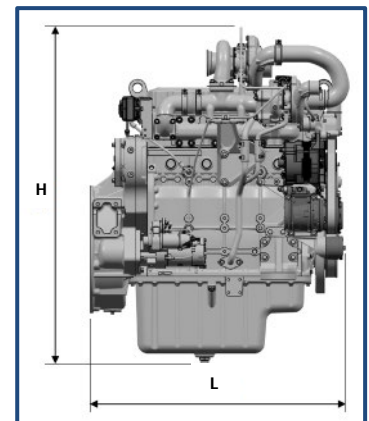
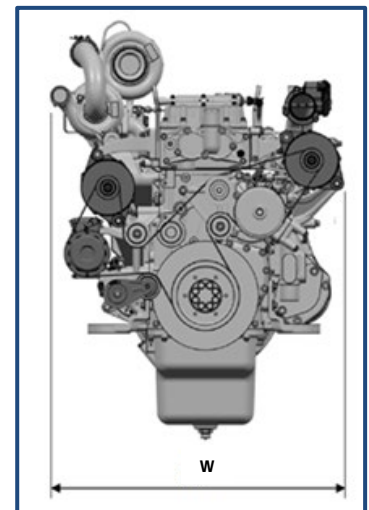
Power Rating

Max. Power kW (HP) / rpm	Max. Torque Nm (kg.m) / rpm	Turbocharger	After Treatment System
171.2 (229.6) / 2,200	955 (97.4) / 1,400	2-Stage	DOC+DPF+SCR (No EGR)
161.7 (216.8) / 2,200	955 (97.4) / 1,400		
150.9 (202.4) / 2,200	830 (84.6) / 1,400	Single	
129.0 (173.0) / 2,200	830 (84.6) / 1,400		

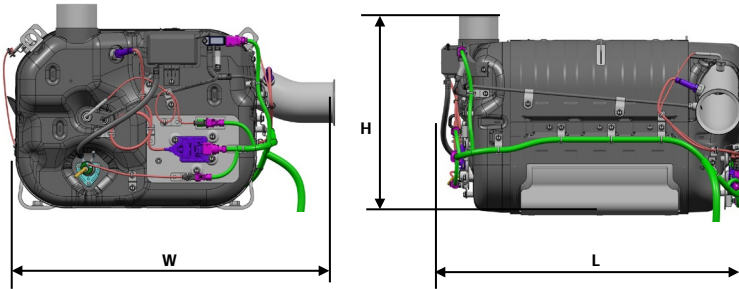


Engine Specifications

Engine Model	DX05
Cylinders and Arrangement	4-cylinder / In-line type
Valve System Type	Over head valve
Bore x Stroke	110 x 132 mm
Displacement	5.018 liter
Compression Ratio	16.6 : 1
Rotation	Counterclockwise viewed from Flywheel
Firing Order	1-3-4-2
Fuel System	Common-rail pump Direct injection controlled by ECU
Aspiration	Turbo charger & Intercooler
After Treatment System	DOC + DPF + SCR
Water Flow	400 liter/min @ 2,200 rpm (162/171kW)
Cooling Method	Fresh water forced circulation
Dimension (L x W x H)	Single : 920 x 825 x 1,099mm 2- Stage : 920 x 905 x 1,171 mm
Dry Weight(w/o Fan & ATS)	Single : 633kg, 2-Stage : 674 kg



Aftertreatment Unit

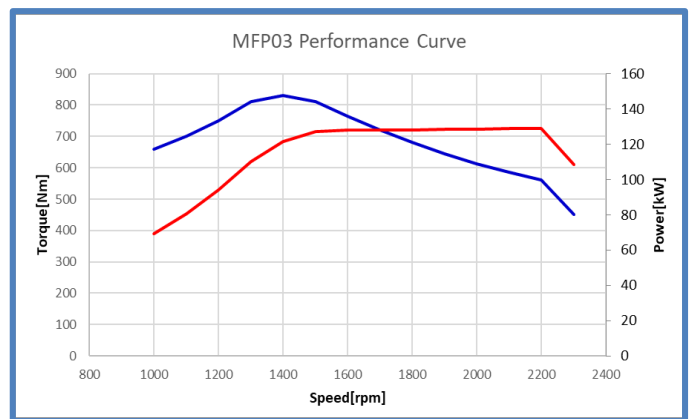
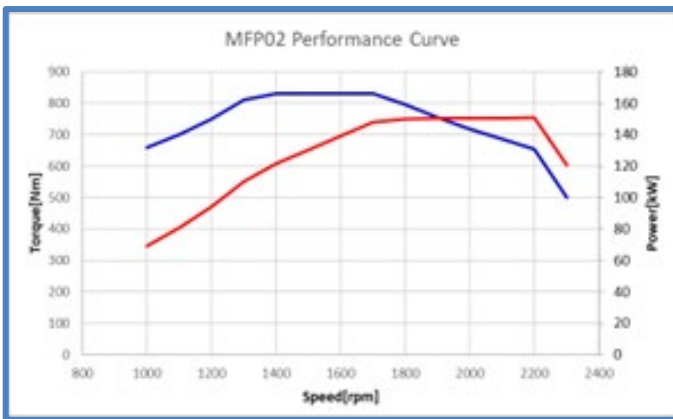


Dimension (mm)

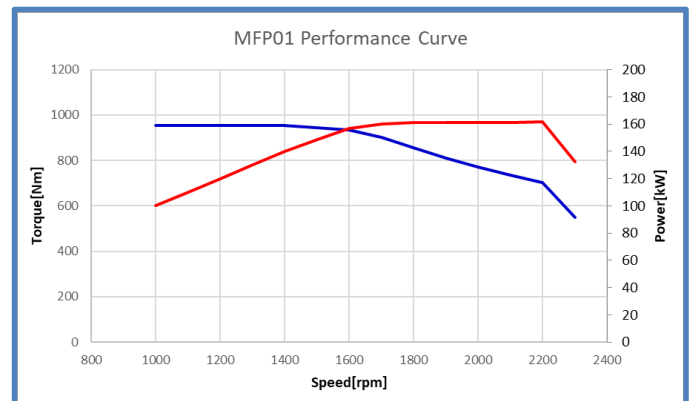
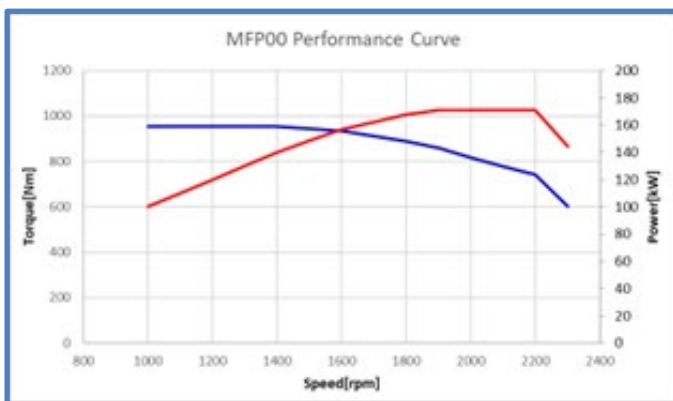
L	W	H
803	673	513

Performance Curve

Single



2-Stage



※ Specifications are subject to change without prior notice.

