

# HYUNDAI DP126CAK



EPA/CARB  
Tier 3

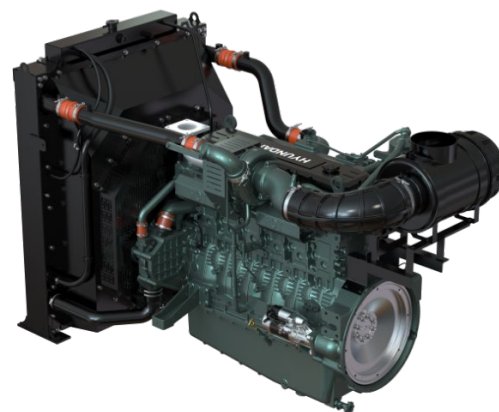


GENERATOR



## Description

- HD Hyundai Infracore introduced new generator electronic engines DP126 C-Series.
- When compared to other engines of equivalent capacity, it displays a higher output, better fuel efficiency, higher safety, and easier maintenance.
- Satisfying EPA Tier 3 certification, it is expected to become the key product of HD Hyundai Infracore.



## Features

### [High Power & Economy]

- High performance & Low fuel/oil consumption
- G3 Class(ISO 8528-5)

### [High Durability]

- High strength design for main structure parts
- Higher warranty period through sufficient verification
- 1000hrs /5years (ESP)

### [Convenience & Safety]

- Oil maintenance interval: 500hrs without replenishment
- Auto tensioning belt drive system
- Radiator to cover a wide range of usage condition
- Safety guard for hazard parts
- Meet REACH & RoHS regulations

## Power

1,500 RPM (50Hz)									1,800 RPM (60Hz)								
Standby			Prime/DCP			Continuous			Standby			Prime/DCP			Continuous		
kWm	kWe	kVA	kWm	kWe	kVA	kWm	kWe	kVA	kWm	kWe	kVA	kWm	kWe	kVA	kWm	kWe	kVA
-	-	-	-	-	-	-	-	-	375	331	414	341	299	374	239	203	254

- Generator efficiency (typical) : 94.0%
- kWm= kilo Watt mechanical, Gross power; kWe= kilo Watt electric = (kWm-Fan loss) x Generator eff.; kVA= kilo Volt Ampere
- Calculations based on a 0.8 power factor = kWe/0.8
- U.S. EPA TIER 3 Nonroad emission for Stationary Emergency Use Only. Prime/Continuous power rating for reference only.



### General Data

Type	Diesel, water cooled, Turbo charged & intercooled
Bore	123mm
Stroke	155mm
Displacement litre	11
Cylinders and Arrangement	Cast iron, 6 cylinder, In-line Type
Battery charging alternator	24V x 80A alternator
Starting voltage	24V
Fuel System	Common Rail Direct Injection Controlled by ECU
Fuel Filter	Main(On Engine): Full flow, High efficiency dust in fuel filter, cartridge type Pre(Loosed Part): Full flow, cartridge type with water drain valve
Lube oil filter type(s)	Full flow, cartridge type
Lube oil capacity (l)	Max. 44 liters , Min. 20 liters
Flywheel dimensions	Clutch No. 14 M

### Coolpac Data

Cooling method	Jacket Water and Charge Air Cooled	
Cooling ratio	50% ethylene glycol; 50% water	
Water capacity (L)	with radiator	53liters
	without radiator	23liters
Fan power (kWm)	23kW(60Hz)	
Cooling system air flow(m <sup>3</sup> /s)	8.05(60Hz)	

### Fuel Consumption

#### Fuel Consumption 1500 (50Hz)

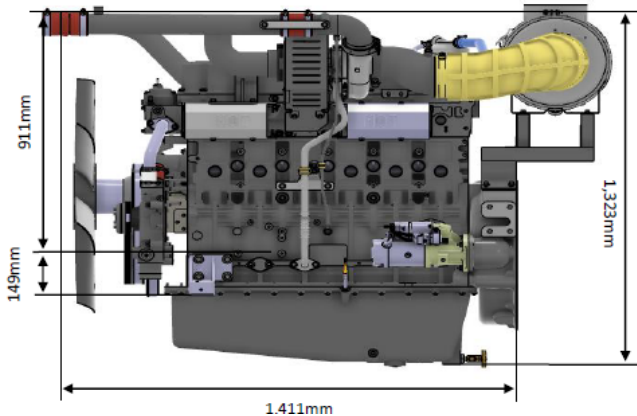
%	kWm	BHP	Liters/hr	USgal/hr
<b>Standby Power</b>				
100	-	-	-	-

#### Fuel Consumption 1800 (60Hz)

%	kWm	BHP	Liters/hr	USgal/hr
<b>Standby Power</b>				
100	375.0	502.9	96.0	25.36



### Dimensions



### Weights and Dimensions

Length mm	Width mm	Height mm	Weight (dry) kg
1,411	1,133	1,323	1,058

### Power Rating Guide

The power ratings of Emergency Standby and Prime are in accordance with ISO 8528. Fuel Stop power in accordance with ISO 3046. Electric power (kWe) must be considered cooling fan loss, alternator efficiency, altitude derating and ambient temperature.

**ESP(STANDBY POWER)** is applicable for supplying emergency power for the duration of the utility power outage. No overload capability is available for this rating. A standby rated engine should be sized for a maximum of an 70% average load factor and 200 hours of operation per year. This includes less than 25 hours per year at the Standby Power rating.

※ Specifications are subject to change without prior notice.

**HD Hyundai Infracore Co., Ltd.**

[Sales Office] 13F, HD Hyundai Group's Global R&D Center, 477, Bundangsuseo-ro, Bundang-gu, Seongnam-si, Gyeonggi-do, Korea(13553)

E-mail : [enginesales@hd.com](mailto:enginesales@hd.com)

Website : [www.hd-hyundaiengine.com](http://www.hd-hyundaiengine.com)



**HD HYUNDAI INFRACORE**