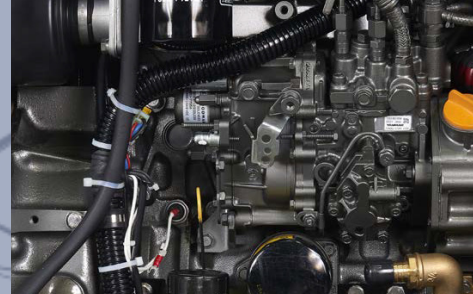


IS 31 T



CONTROL PANEL



YANMAR ENGINE



INPUT/OUTPUT FUEL PIPE

the intercooler W/A assures the perfect functioning of the generator independently of the external ambient temperature, therefore the alternator and the engine will work at ideal temperature optimizing the performance and reliability of the gen-set.

The generator may be installed in any room on the vessel without the need of ventilation blowers.

Extremely compact and quiet, the generator is equipped with a double shock absorbing system to increase comfort: the first one absorbs vibrations from engine-alternator to the frame, the second one absorbs residual micro-vibrations



COMPACT
DESIGN



EASY
INSTALLATION



SUPER
SILENCED

We reserve the right to modify the data, images and drawings in this document without prior notice.

For more detailed information, please contact your local distributor or Mase Generators S.p.A.



mase generators spa

Via Tortona, 345 | 47522 - Cesena (FC) | Italy

Tel. +39 0547 354311

commercial@masegenerators.com

www.masegenerators.com

mase
GENERATORS
Believing in change.



CONTROL PANEL

_ CBU EVO IL4 device controls and drives the genset. The large display and control pushbuttons allow an easy use and monitoring:

- Manual start
 - Voltage Vac
 - Frequency Hz
 - Hour meter
 - Genset battery voltage
 - Oil low pressure alarm
 - Engine preheating
 - Engine high temperature alarm
 - Alternator battery charger failure alarm
 - Protection alarm for frequency and rpm
 - Alarm history
 - Maintenance warnings
 - General alarm outlet
 - RUN outlet
 - Ready outlet
 - Programmable AUX outlet
- _ Emergency stop button
- _ Magneto-thermal protection

ENGINE

_ Easy maintenance access to the feeding and lubrication systems, the sea water pump and the air filter

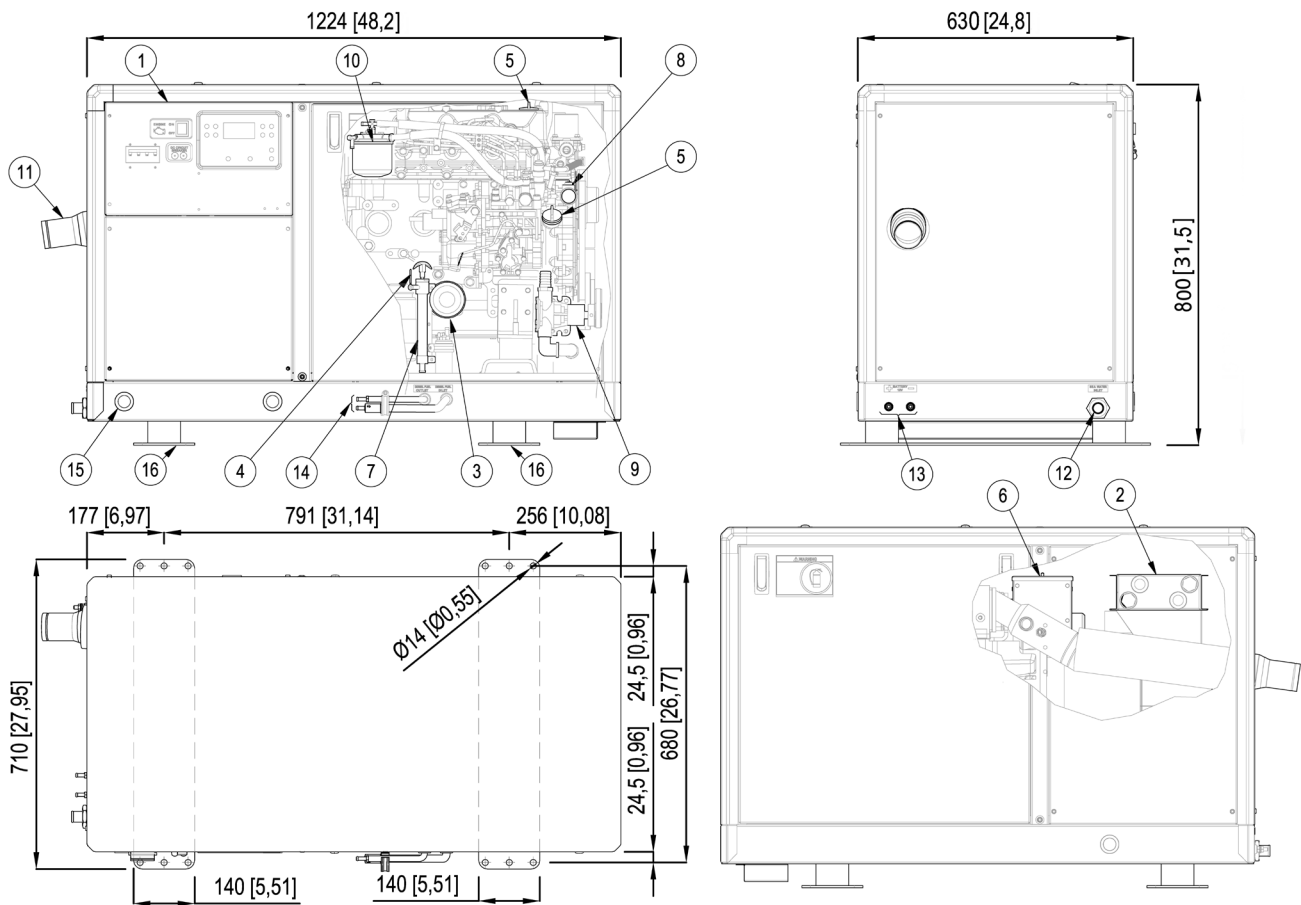
_ Double vibration dumping system

_ Oil drain pump

SOUNDPROOF CABIN

_ Made of extremely light marine aluminum with very high resistance to external agents

Insulated poles kit (for metal hull boats), dry exhaust kit and keel cooling kit are available on request



- | | | | |
|--------------------------|---------------------|--------------------------------|------------------------------------|
| 1. Control panel | 6. Air filter | 11. Exhaust manifold (d.60 mm) | 14. Fuel tank connections (d.8 mm) |
| 2. Air / water exchanger | 7. Oil drump pump | 12. Sea water intake (d.25 mm) | 15. Cables outlet |
| 3. Oil filter cartridge | 8. Fresh water pump | 13. Battery connections | 16. Genset fixing brackets |
| 4. Oil dipstick | 9. Sea water pump | | |
| 5. Engine oil filler | 10. Fuel filter | | |


Output power 31 kW 50 Hz
50 Hz
60 Hz

AC alternator -	Synchronous, 4 poles, self-energized, brushless, with AVR
Cooling -	Air / Water (Intercooler W / A)
Voltage -	400 V
Frequency -	50 Hz
Amps -	44.8 A
Max power -	31 kVA
Continuous power -	29 kVA
Power Factor -	cos ϕ 0.8
Insulating class -	H
Voltage stability -	$\pm 2\%$
Frequency stability -	$\pm 5\%$

The power is referred to a sea water temperature up to 31°, an atmospheric pressure of 100 KPa and a humidity percentage of 30%

Model -	Yanmar 4TNV98
Type -	Diesel
Cylinders -	nr 4
Cylinder block material -	Cast iron
Bore -	98 mm - 3.86 in
Stroke -	110 mm - 4.33 in
Displacement -	3319 cc - 202.54 CID
Power -	47 hp - 34.57 kWm (at 1500 RPM)
RPM -	1500
Compression ratio -	18.5:1
Combustion system -	Direct injection
Engine head material -	Cast iron
Speed governor -	Centrifugal mechanical
Lubrication system -	Forced
Oil sump capacity with filter -	8.2 l - 2.31 gl
Engine stop system -	Electromagnet
Fuel pump -	Electric
Max. fuel pump head -	700 mm - 2.29 ft
Fuel consumption -	8.9 l/h - 2.35 gl/h
Starting battery -	100 Ah - 12 V
Battery charger -	40 Ah - 12 V
Starter motor -	2.3 kW - 12 V
Max. inclination -	25°
Water pump flow -	28 l/min - 7.39 gl/min
Sea water inlet pipe \varnothing -	25 mm - 1"
Exhaust pipe \varnothing -	60 mm - 2" 1/2
Input/Output fuel pipe \varnothing -	8 mm - 5/16"

Dimensions (L x W x H) -	1224 x 630 x 789 mm - 48.2 x 24.8 x 31.1 in (with soundproof box)
Weight -	625 Kg - 1378 lb (with soundproof box)
Noise Level -	52 dBA a 7 mt (23 ft)



Accessory

Code

ACCESSORIES ON REQUEST

• Filtering kit: sea water inlet, sea water strainer, taps, fittings D.25 - ref.4	03793
• Siphon break D.25 - ref.3	015849
• Vetus LP60 muffler	71711
• Vetus silencer MP60	71746
• Silencer c.71746 with soundproofing sponge	039865
• Vetus Separator LGS6050	71712
• Centek muffler 2" 1/2 - ref.5	71714
• Centek 2" 1/2 water/gas exhaust separator - ref.6	71713
• Remote START/STOP panel with 20m cable for Comap IL4 - ref.1	037561
• Comap IL4 remote start panel with 20-meter cable - ref.2	039607
• Cruise KIT	913809



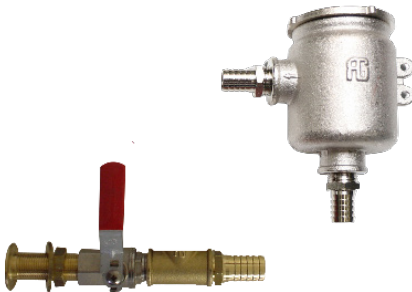
.1



.2



.3



.4



.5



.6