



CM4.42 30.9KW/42HP

ISO 8665/3046

Assets:

- Seawater resistant cast exhaust bend, providing a long and efficient service life
- Supplied with oil suction pump
- Fitted with electric fuel lift pump
- Based on a Mitsubishi industrial engine, proven world-wide and with an equally world-wide support

ALSO AVAILABLE AS KEELCOOL

Cupronickel heat exchanger and exhaust bend - no zinc anode required

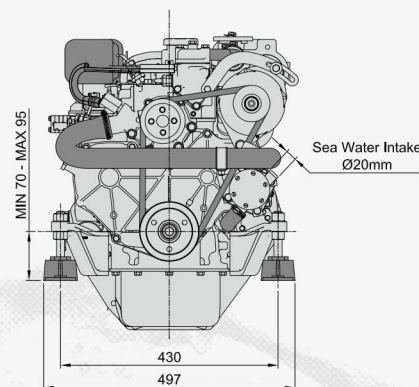
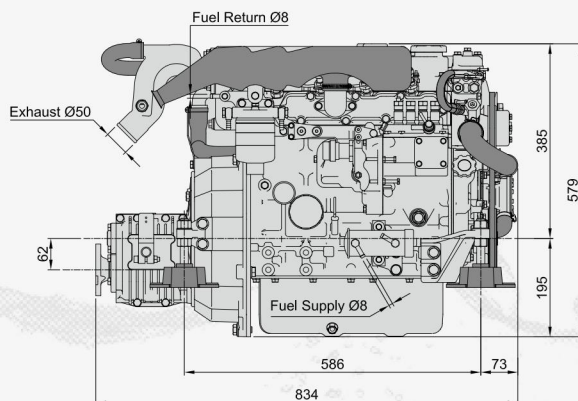
This Copper-Nickel alloy has a better heat dissipation than steel or aluminium ensuring a better heat regulation for the engine. The heat exchanger also functions as an expansion tank for the cooling liquid of the engine. On top of that the material is highly resistant to corrosion in sea water, making the use of an anode unnecessary.



Always use good quality diesel fuel, free from water and/or other impurities.



Fitted with a 90A Bosch alternator



When a hydraulic gearbox is fitted to the engine, an additional oil cooler set is essential. This kit includes all necessary hoses and brackets to connect the oil cooler.

OILCOOLER SET CM4.42

AA.010.20010

CALORIFIER KIT CM4.42

AA.020.20010



Optional remote oil filter

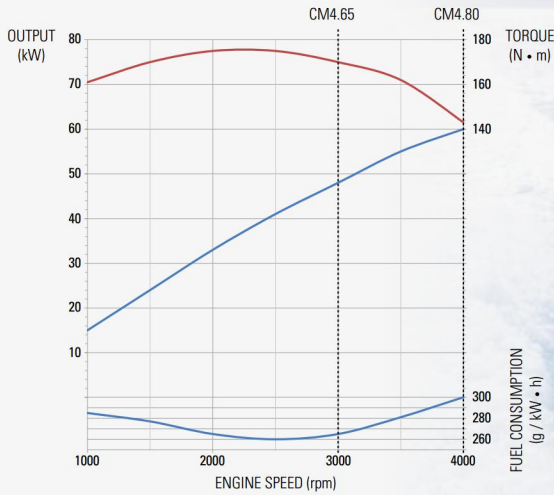
Changing the oil filter can become difficult once the engine is fully installed in your boat. In order to accommodate an easier and faster oil filter replacement a Craftsman Marine remote oil filter kit was developed. The oil filter can be placed wherever you like. Standard hose length 1m.



AA.030.20000

Diesel engines

Our Hyundai based engines have been converted into fine marine diesel engines in accordance with the latest know how and technology. Craftsman Marine has selected these base engines on three principles: power, reliability and fuel efficiency. On top of that, these engines are known for their quiet and vibration-free running, and of course they measure up to the latest European Recreational Craft Directive (RCD).



Standard fitted long dipstick

For easy inspection of the oil level of your engine.

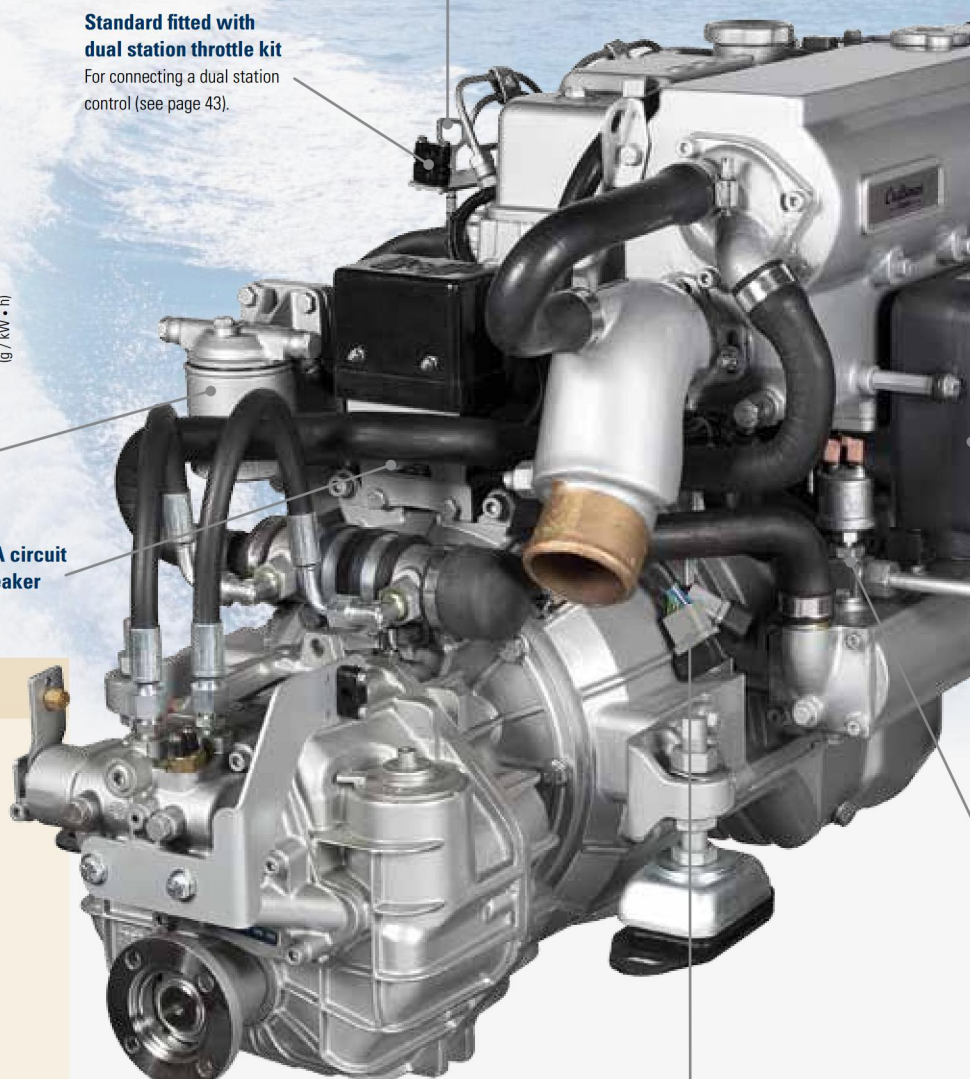
Standard fitted with dual station throttle kit

For connecting a dual station control (see page 43).

Fuel filter

Easy accessible fuel filter for quick inspection and easy replacement.

10A circuit breaker



Waterproof connectors (IP67)

General specifications

Basic engine:	Hyundai
Output at flywheel:	48kW/65HP (ISO 8665/3046) 59kW/80HP (ISO 8665/3046)
Maximum torque:	175 Nm
Number of cylinders:	4
Capacity:	2607 cm ³
Aspiration:	natural
Alternator:	110 A / 12V Bosch
Sensors:	see page 23
Max. installation angle:	10° (backwards)
Maximum revolutions:	3000 rpm (CM4.65) 4000 rpm (CM4.80)
Cooling system:	indirect, with heat exchanger
Flexible engine mountings:	CM type 7
Calorifier connection:	standard
Exhaust diameter:	ø60 mm (CM4.65) ø76 mm (CM4.80)
Electronic protection:	10A circuit breaker
Stop solenoid:	Energised to run
Weight:	235 kg

Optional:



ALFA 30E

AB.030.20000

See page 46 for the complete range of engine panels.

For detailed specifications, drawings, manuals, certificates and warranty go to www.craftsmanmarine.com

* 4 Flexible engine mounts CM type 9 are required for installation angles above 8°. Optional for extra comfort.